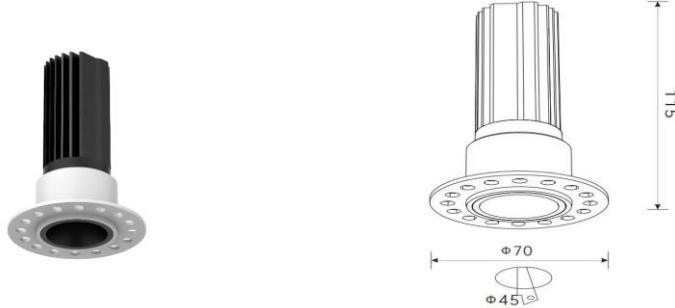


**SR**LED LIGHTS  
www.srledlights.com

SR-167

LED Spot Light Series  
Ceiling TRIMLESS

## Specifications

### Product Reference

**Model No**  
SR-167  
**Installation Type**  
TRIMLESS  
**Beam Direction**  
FIX

### Construction & Materials

**Housing Material**  
Aluminium Die Cast  
**Heatsink**  
Passive Cooled Aluminium  
**Finish**  
White Powder Coated  
**IP Rating**  
IP-20

### Physical

**Diameter**  
70mm  
**Cutout Diameter**  
45mm  
**Recessed Depth**  
115mm

### Light Technology

**Binning**  
3 step MacAdam  
**LED Life Time**  
> 50,000 Hours  
**Colour Rendering CRI**  
CRI80 as standard/ CRI90 on Request

### Optics

**Secondary Optics**  
Optical lens  
**Beam Direction**  
Fixed

### Electrical System

**Input Voltage**  
220V-240V AC/50Hz  
**Input Power**  
12W  
**Power Factor**  
>0.95  
**ATHD**  
<20%  
**Driver**  
philips (Constant -  
Current Led Driver)

### Controls

**Standard**  
Switchable On/Off  
**Optional**  
Phase Cut / Analog / Dali Dimming  
**CCT Tunable**  
Not available

**SR**LED LIGHTS  
www.srledlights.com



SR

LED LIGHTS  
www.srledlights.com

SR-167

LED Spot Light Series  
Ceiling TRIMLESS

**SR - 167**

**LED Fitted**

Evercore COB LED 36Vdc/250mA

**Co-Related Colour Temperature**

2700K 3000K 3500K 4000K 5000K 6500K

**Delivered Lumens**

960

**Efficacy ( System - lm/watt)**

80

**Beam Angle**

15° / 24° / 38°

**LED Power Watts**

10

**System Power Watts**

12

---

S.R.Industries  
GalaNo. 1 & 2, 1st Floor , Geeta Industrial Estate ,  
Next to Laghu Udyog , I.B.Patel Road ,  
Goregaon (E), Mumbai - 400063.  
Email Id : sales@srledlights.com  
Tel.No : 022-26860670



SR

LED LIGHTS  
www.srledlights.com