

SR

LED LIGHTS

www.srledlights.com**MAGNETIC LED track light SR
16W Datasheet**

Number of heads	1
Mounting	Track mounting
Lamps description	LED 8W X 2 =16W, CRI 90
Luminaire luminous flux	100 lm/W
Voltage (V)	48
Environment	Indoor
Notes	MAGNETIC track lights are a new generation of innovative lighting systems.



Magnetic LED light to be installed on 48 V magnetic track

OPTICAL

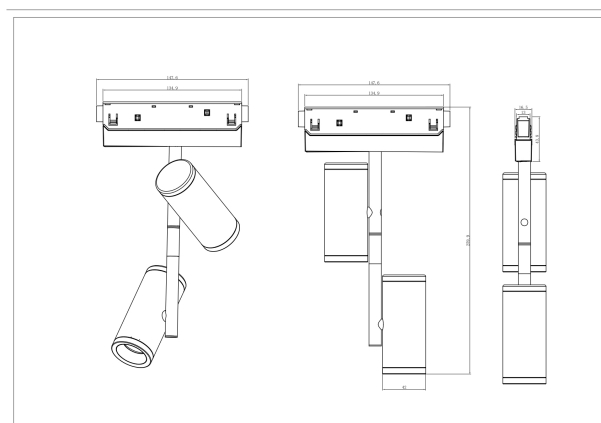
Reflector finish	Aluminum
Aiming	Adjustable 360° and 90°
Light distribution symmetry	Symmetric
Beam angle	24°
Color temperature	3000K, 4000K,

ELECTRICAL

Wattage	8W X2 = 16W
Transformer mounting	Integral
Transformer type	Electronic
Frequency	50-60 HZ
Voltage	48 V

PHYSICAL

Spot diameter (mm)	Ø 42
Construction material	Aluminium, PVC
Luminaire lifespan	30000H
LED module	BRIDGELUX COB LED
Driver	Flicker free 48 V
Working temperature	0 to +40 °C
Warranty	2 years from purchase date



● Black

SR

LED LIGHTS

www.srledlights.com