

SR

LED LIGHTS

www.srledlights.com

MAGNETIC LED track light SR 3W Datasheet

Number of heads	1
Mounting	Track mounting
Lamps description	LED 3 W, CRI 90
Luminaire luminous flux	100 lm/W
Voltage (V)	48
Environment	Indoor
Notes	MAGNETIC track lights are a new generation of innovative lighting systems.

OPTICAL

Reflector finish	Aluminum
Aiming	Adjustable 360° and 90°
Light distribution symmetry	Symmetric
Beam angle	24°
Color temperature	3000K, 4000K,

ELECTRICAL

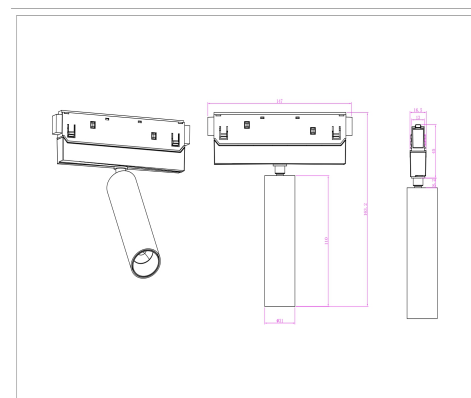
Wattage	3 W
Transformer mounting	Integral
Transformer type	Electronic
Frequency	50-60 HZ
Voltage	48 V

PHYSICAL

Spot diameter (mm)	Ø 31
Construction material	Aluminium, PVC
Weight (kg)	0,3
Luminaire lifespan	30 000h
LED module	BRIDGELUX COB LED
Driver	Flicker free 48 V
Working temperature	0 to +40 °C
Warranty	2 years from purchase date



Magnetic LED light to be installed on 48 V magnetic track



● Black

SR

LED LIGHTS

www.srledlights.com