



SR

LED LIGHTS

www.srledlights.com

MAGNETIC LED track light SR 12W Datasheet

Number of heads	1
Mounting	Track mounting
Lamps description	LED 12 W, CRI 90
Luminaire luminous flux	100 lm/W
Voltage (V)	48
Environment	Indoor
Notes	MAGNETIC track lights are a new generation of innovative lighting systems.

OPTICAL

Reflector finish	Aluminum
Aiming	Adjustable 360° and 90°
Light distribution symmetry	Symmetric
Beam angle	38°
Color temperature	3000K, 4000K,
DALI DT8	2700K-6500K
DALI DT6	3000K,4000K
CCT tunable bluetooth	YES

ELECTRICAL

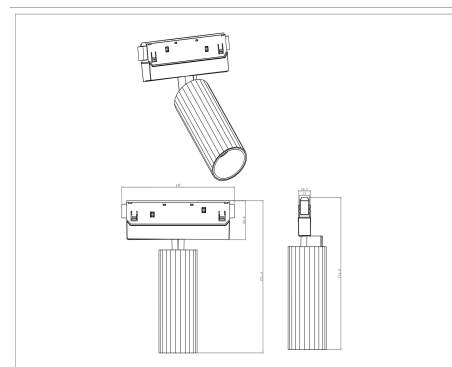
Wattage	12 W
Transformer mounting	Integral
Transformer type	Electronic
Frequency	50-60 HZ
Voltage	48 V

PHYSICAL

Spot diameter (mm)	Ø 50MM
Construction material	Aluminium, PVC
Luminaire lifespan	30000H
LED module	BRIDGELUX COB
Driver	LED Flicker free 48 V
Working temperature	0 to +40 °C
Warranty	2 years from purchase date



Magnetic LED light to be installed on 48 V magnetic track



● Black



SR

LED LIGHTS

www.srledlights.com