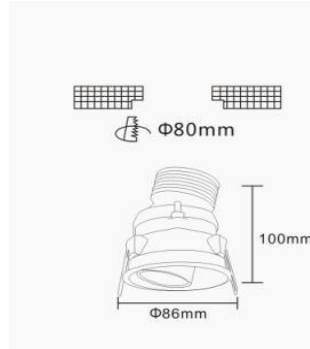


SRLED LIGHTS
www.srledlights.com

SRE-051

LED Spot Light Series
Ceiling Recessed Adjustable

Specifications

Product Reference

Model No
SRE-051
Installation Type
Recessed
Beam Direction
Fixed

Light Technology

Binning
3 step MacAdam
LED Life Time
> 50,000 Hours
Colour Rendering CRI
CRI80 as standard/ CRI90 on Request

Controls

Standard
Switchable On/Off
Optional
Phase Cut / Analog / Dali Dimming
CCT Tunable
Available on Request

Construction & Materials

Housing Material
Aluminium Die Cast
Heatsink
Passive Cooled Aluminium
Finish
White Powder Coated
IP Rating
IP-20

Optics

Secondary Optics
Metalized reflector
Beam Direction
Fixed

Physical

Diameter
85mm
Cutout Diameter
75mm
Recessed Depth
115mm

Electrical System

Input Voltage
220V-240V AC/50Hz
Input Power
12W
Power Factor
>0.95
ATHD
<20%
Driver
philips (Constant -
Current Led Driver)

SRLED LIGHTS
www.srledlights.com



SR

LED LIGHTS
www.srledlights.com

SRE-051

LED Spot Light Series
Ceiling Recessed Non Adjustable

SRE - 051 12w

LED Fitted

CREE COB LED 36Vdc/250mA

Co-Related Colour Temperature

2700K 3000K 3500K 4000K 5000K 6500K

Delivered Lumens

1080

Efficacy (System - lm/watt)

90

Beam Angle

15° / 24° / 38° / 60°

LED Power Watts

10.5

System Power Watts

12

S.R.Industries
GalaNo. 1 & 2, 1st Floor , Geeta Industrial Estate ,
Next to Laghu Udyog , I.B.Patel Road ,
Goregaon (E), Mumbai - 400063.
Email Id : sales@srledlights.com
Tel.No : 022-26860670



SR

LED LIGHTS
www.srledlights.com